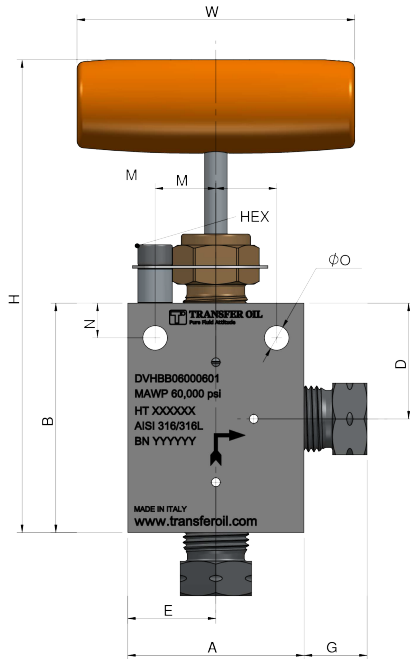


DVHBB - Angle needle valve

60k psi (4137 bar)



Part no.	Connec- tion	U M	H	W	A	B	C	D	E	G	M	N	Ø O	H EX	Ø Orifi- ce	Thickn- ess	Wei- ght	U M	H	W	A	B	C	D	E	G	M	N	Ø O	H EX	Ø Orifi- ce	Thickn- ess	Wei- ght
DVHBB040 00401	1/4" HP	m	13 0	8 0	50. 8	6 0	32 .4	25 .4	13	17 .5	1 0	7 0	22. 23	2	25.4	811 g	in	5.1 2	3. 15	2	2. 36	0	1. 2 8	1	0. 51	0. 69	0. 39	0. 28	7/ 8"	0.08	1	1.79 lb	
DVHBB060 00601	3/8" HP	m	13 6	8 0	50. 8	6 6	33 .3	25 .4	17	17 .5	1 0	7 0	22. 23	2	25.4	897 g	in	5. 35	3. 15	2	2. 6	0	1. 31	1	0. 67	0. 69	0. 39	0. 28	7/ 8"	0.08	1	1.98 lb	
DVHBB090 00901	9/16" HP	m	1 4 1	8 0	66. 68	7 1	33 .3	33 .3	25 .5	17 .5	1 0	7 0	22. 23	2	38.1	1570 g	in	5. 55	3. 15	2. 63	2. 8	0	1. 31	1. 3 1	1	0. 69	0. 39	0. 28	7/ 8"	0.08	1.5	3.46 lb	